



CAPACITIVE PROXIMITY SWITCHES

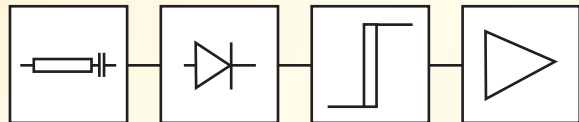
JMIBALAJI & CO.

India's ONLY manufacturer of ISI marked Limit Switches has another range of high quality Capacitive Proximity Switches

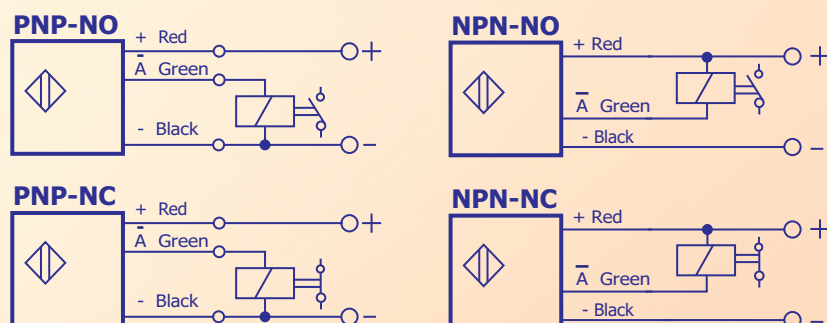
APPLICATIONS

- Packaging Industries
- Chemical Industries
- Automobile Industries
- Wood Working Machinery

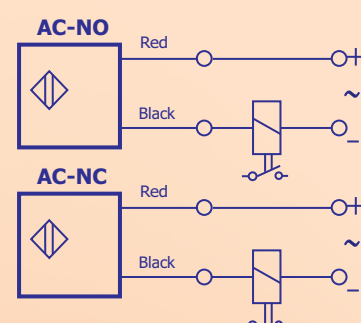
Capacitive Proximity Switches serves as a contactless sensors for positioning, monitoring and detecting all types of material. Capacitive Proximity Switch consists of an Oscillator, a Rectifier and an Amplifier. The capacitance between the sensing surface and mass increases when an object approaches active surface. When the capacitance value exceeds the preset level, oscillator generates AC signals. The Rectifier section converts this AC signal into DC and Amplifier amplifies this signal to drive a relay or a circuit.



Connection Diagram for DC Switches



Connection Diagram for AC Switches





CAPACITIVE PROXIMITY SWITCHES

SPECIFICATIONS

DC Switches		AC Switches	
Supply Voltage	10 - 30 V	Supply Voltage	90 - 250 V
Voltage Drop	≤ 1.5 V	Voltage Drop	≤ 15 V
Load Current	250 mA	Load Current	250 mA
Switching Frequency	200 Hz	Switching Frequency	5 Hz
Hysteresis	≤ 25%	Hysteresis	≤ 25%
Sensing Distance	8 - 15 mm*	Sensing Distance	8 - 15 mm*
Ambient Temperature	0 - 70° C	Ambient Temperature	0 - 70° C
Protection	IP 65	Protection	IP 65
Sensitivity Adjustment	Through Potentiometer	Sensitivity Adjustment	Through Potentiometer

* Sensing range depends on materials and surrounding environment

Model	Housing	Size	Type
JBC 18	M/S	M18 X 75	D
JBC 30	M/S	M30 X 75	A,D

D	-	DC	A	-	AC
D ₁	-	PNPNO	A ₁	-	ACNO
D ₂	-	PNPNC	A ₂	-	ACNC
D ₃	-	NPNNO			
D ₄	-	NPNNC			

REED MAGNETIC SWITCH (CODE: JBRM)

Reed magnetic switch contains a reed switch and a magnet enclosed in a separate housing. When the magnet passes nearby the reed switch it changes the output contact.

CORRECTION FACTOR

Metal	1.0
PVC	0.6
Glass	0.5
Water	1.0
Oil	0.2
Wood	0.2

To achieve the optimum performance each switch has to be adjusted for the working environment. If the object is a conductive material, it needs proper earthing.

SPECIFICATION

Enclosure	Aluminium or Plastic
Sensing distance	20mm Max.
Switching frequency	1Hz
Temperature	0 - 100° C
Output contact	NO or NC
Contact rating	200 mA
Protection	P 67

*Potential free contacts suitable for voltage upto 220V AC

Our other products include Inductive Proximity Switches, Photo Electronic Switches, Limit Switches, Rotary Switches, Push Buttons, LED Module Indicating Lights, Micro Switches, Engineering Plastic Plug and Sockets and Telescopic Brush Plugs. Special types of switches are available on request.

Manufactured by:

JAIBALAJI & CO.

Post Box No. 27, 89 (New No. 107), SIDCO Industrial Estate, Ambattur, Chennai - 600 098 (India).

Phone: (044) 2625 1279 / 2625 7859 / 2625 4469 / 2625 4470.

Fax: (0091-44-2625 5038. E-mail: dchandramohan.jaibalaji.firm.in

Area Stockist: